
Operating Systems

Spring 2018

Syllabus

- **Instructors:**

- Dongkun Shin
- Office : Room 85470
- E-mail : dongkun@skku.edu
- Office Hours: Tue. 15:00-17:30 or by appointment

- **Lecture notes**

- nyx.skku.ac.kr → Courses → Operation Systems (2018 Spring)
- http://nyx.skku.ac.kr/?page_id=1610
- Lecture notes and talks will be given in **English**.

Syllabus (cont'd)

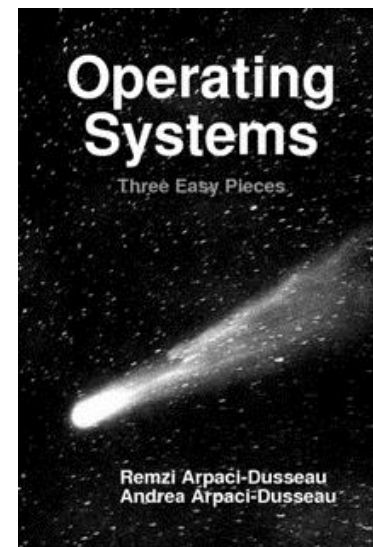
- **Main text**

- Operating Systems: Three Easy Pieces
- <http://pages.cs.wisc.edu/~remzi/OSTEP/>
- **free online book!!**
- The book is very easy and funny.
- You have to read the scheduled chapter before the class time.

- **Grading policy (subject to change)**

- Attendance: 5% (I'll check at random.)
- Midterm exam: 35%
- Final exam: 35%
- Assignment (Report, Project): 25%

- If you miss one or both of exams, you will fail this course.
- If you aren't in the class room when I call your name, you are regarded as missing the class.
- **Cheating on tests and other assignments will not be tolerated and you will take no (or a negative) point for the test!**



출석인정 사유

연번	출석인정 사유	제출서류
1	가족이 사망하여 상중(喪中)인 경우 <배우자, 자녀, 본인 및 배우자의 부모. 조부모(7일이내), 본인 및 배우자의 형제자매. 백숙부모. 형제자매의 배우자(3일이내)>	사망진단서 혹은 병원의 확인서
2	학교 공식행사(교내 각 기관이 인정하는 외부기관 행사를 포함한다). 교육실습. 현장수업. 예비군훈련 등 행사(훈련)참석확인서 등으로 결석 사유가 확인되는 경우	행사참석확인서/ 훈련참석확인서 등
3	스포츠단 선수로 스포츠단이 공식인정하는 대회에 참가하는 경우	대회참석확인서
4	학기 중 취업이 확정되어 출석하지 못하는 경우, 해당 수업을 담당하는 교수가 학생에게 그에 상응하는 별도의 추가 과제를 부과하고 이를 성 실히 이행했다고 판단하는 경우	취업확인서 또는 재직증명서 및 출근의무를 입증할 자료 등
5	기타 학장이 부득이 하다고 인정하는 사유가 있는 경우	출석인정사유 확인서

Syllabus (cont'd)

- **Course Outline**
 - Part 1. CPU Virtualization
 - Process
 - CPU Scheduling
 - Part 2. Memory Virtualization
 - Address Space, Allocation
 - Address Translation
 - Paging, TLB, Swapping
 - Part 3. Concurrency
 - Thread
 - Lock, Semaphore
 - Part 4. Persistence
 - I/O Systems
 - Storage
 - File System

Syllabus (cont'd)

- **Assignments**
 - Homework
 - Reports on advanced topics
 - Homework in the textbook
 - Three term projects
- **Prerequisites**
 - C programming
 - System Programming
 - Computer Architecture

If you have any questions,
please feel free to interrupt me
in English
or Korean.

Chap.2

Introduction to Operating Systems

What happens when a program runs?

- **Von Neumann** model of Computing (Instruction Execution)
 - The processor **fetches** an instruction from memory,
 - **Decodes** it (i.e., figures out which instruction this is), and
 - **Executes** it (i.e., it does the thing that it is supposed to do, like add two numbers together, access memory, check a condition, jump to a function, and so forth).
 - After it is done with this instruction, the processor moves on to the **next** instruction, and so on, and so on

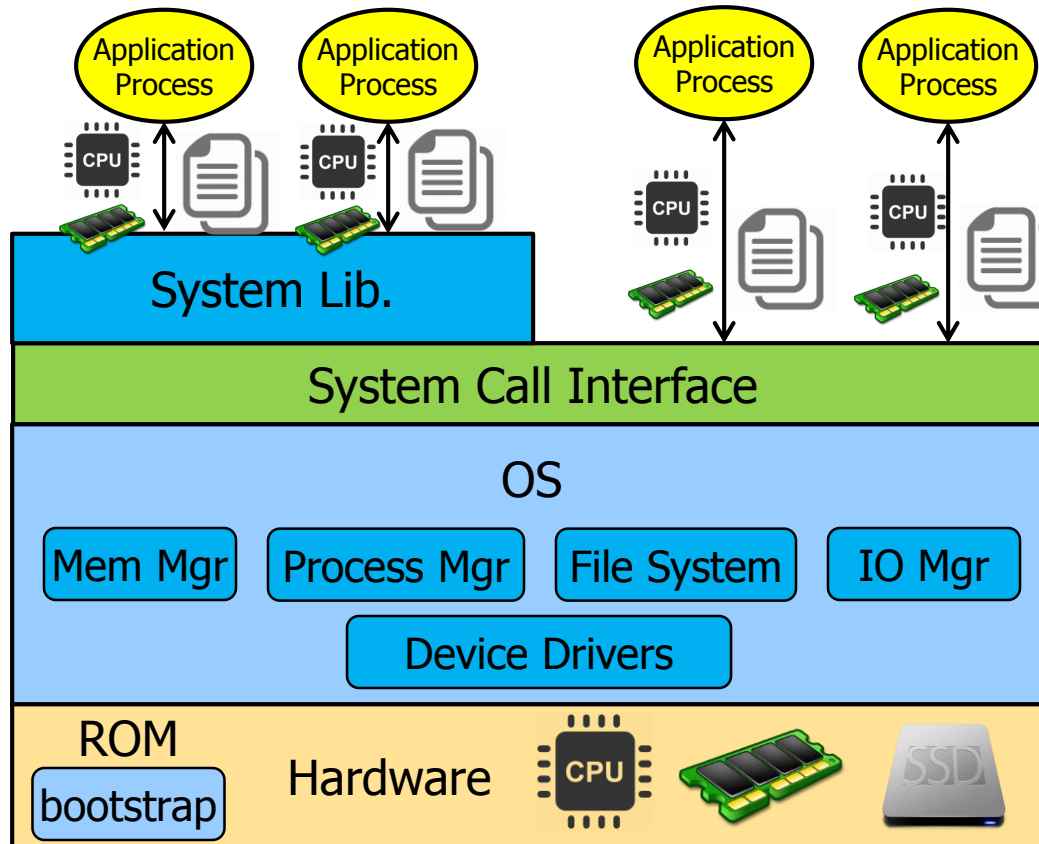
Operating System (OS)

- Makes it easy to run programs
 - even many programs at the same time
- Allows programs to share memory
- Enables programs to interact with devices
- ➔ in charge of making sure the system operates correctly and efficiently in an easy-to-use manner

Operating System (OS)

- The role of OS
 - **Virtualization**
 - OS takes a physical resource (such as the processor, or memory, or a disk)
 - transforms it into a more general, powerful, and easy-to-use virtual form of itself.
 - System calls allow users to tell the OS what to do and thus make use of the features of the OS
 - Virtualization allows many programs to run concurrently
 - **Resource Manager**
 - Resource: CPU, memory, and disk
 - OS manages those resources efficiently or fairly or indeed with many other possible goals in mind.

Computer System Organization



Virtualizing the CPU

```
#include <stdio.h>
#include <stdlib.h>
#include "common.h"

int main(int argc, char *argv[])
{
    if (argc != 2) {
        fprintf(stderr, "usage: cpu <string>\n");
        exit(1);
    }
    char *str = argv[1];

    while (1) {
        printf("%s\n", str);
        Spin(1);
    }
    return 0;
}
```

Spin(1): repeatedly checks the time and returns once it has run for a second

```
prompt> gcc -o cpu cpu.c -Wall
prompt> ./cpu "A"
A
A
A
A
^C
prompt>
```

```
prompt> ./cpu A & ; ./cpu B & ; ./cpu C & ; ./cpu D &
[1] 7353
[2] 7354
[3] 7355
[4] 7356
A
B
D
C
A
B
D
C
A
C
B
D
...
```

Even though we have only one processor, somehow all four of these programs seem to be running at the same time!

Running Many Programs At Once

Virtualizing the CPU

- Illusion that the system has a very **large number of virtual CPUs**.
- Turning a single CPU (or small set of them) into a seemingly infinite number of CPUs and thus allowing many programs to seemingly run at once
- **Two Questions**
 - Policy
 - If more than one program want to run at a particular time, which *should* run?
 - Mechanisms
 - How to implement the ability to run multiple programs at once?

Virtualizing Memory

```
int
main(int argc, char *argv[])
{
    int *p;
    p = malloc(sizeof(int));
    assert(p != NULL);
    printf("(%d) address pointed to by p: %pn", getpid(), p);
    *p = 0;
    while (1) {
        Spin(1);
        *p = *p + 1;
        printf("(%d) p: %d\n", getpid(), *p);
    }
    return 0;
}
```

Each running program has allocated memory at the same address (0x200000), and yet each seems to be updating the value at 0x200000 independently!

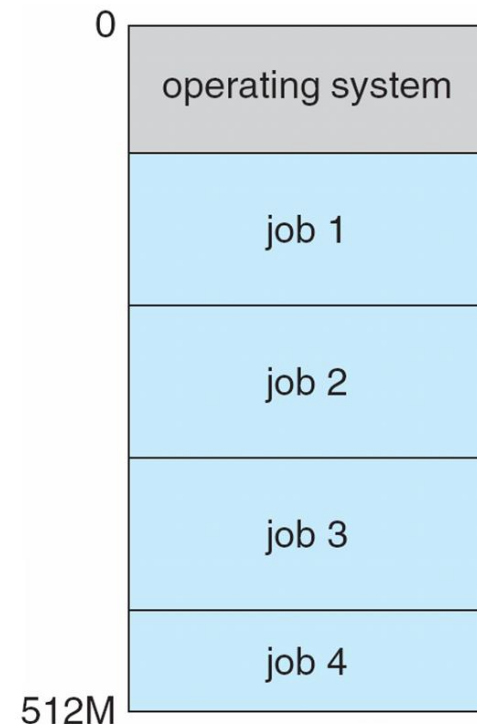
*It is as if each running program has its **own private memory**, instead of sharing the same physical memory with other running programs*

```
prompt> ./mem
(2134) address pointed to by p: 0x200000
(2134) p: 1
(2134) p: 2
(2134) p: 3
(2134) p: 4
(2134) p: 5
^C
```

```
prompt> ./mem && ./mem &
[1] 24113
[2] 24114
(24113) address pointed to by p: 0x200000
(24114) address pointed to by p: 0x200000
(24113) p: 1
(24114) p: 1
(24114) p: 2
(24113) p: 2
(24113) p: 3
(24114) p: 3
(24113) p: 4
(24114) p: 4
...
```

Virtualizing Memory

- Each process accesses its own private **virtual address space**
- OS maps the virtual address onto the physical memory of the machine.
- A memory reference within one running program does not affect the address space of other processes (or the OS itself); as far as the running program is concerned, it has physical memory all to itself.
- The reality, however, is that physical memory is a shared resource, managed by the operating system.



Concurrency

```
#include <stdio.h> multi-threaded programs
#include <stdlib.h>
#include "common.h"

volatile int counter = 0;
int loops;

void *worker(void *arg) {
    int i;
    for (i = 0; i < loops; i++) {
        counter = counter + 1;
    }
    pthread_exit(NULL);
}

int main(int argc, char *argv[]) {
    if (argc != 2) {
        fprintf(stderr, "usage: threads <loops>\n");
        exit(1);
    }
    loops = atoi(argv[1]);
    pthread_t p1, p2;
    printf("Initial value : %d\n", counter);
    Pthread_create(&p1, NULL, worker, NULL);
    Pthread_create(&p2, NULL, worker, NULL);
    Pthread_join(p1, NULL);
    Pthread_join(p2, NULL);
    printf("Final value : %d\n", counter);
    return 0;
}
```

```
prompt> gcc -o thread thread.c -Wall -pthread
prompt> ./thread 1000
Initial value : 0
Final value : 2000
```

```
prompt> ./thread 100000
Initial value : 0
Final value : 143012 // huh??
prompt> ./thread 100000
Initial value : 0
Final value : 137298 // what the??
```

**counter = counter + 1; → no atomic
3 instructions**

- (1) load the value of the counter from memory into a register
- (2) increment it
- (3) store it back into memory.

**How can we build a correctly
working multi-threaded program?
What primitives are needed from
the OS?**

Persistence

- DRAM is **volatile**
- We need hardware and software to store data **persistently**
 - H/W: HDD, SSD
 - S/W: **file system** manages the disk, responsible for storing any files the user creates in a **reliable** and **efficient** manner on the disks of the system

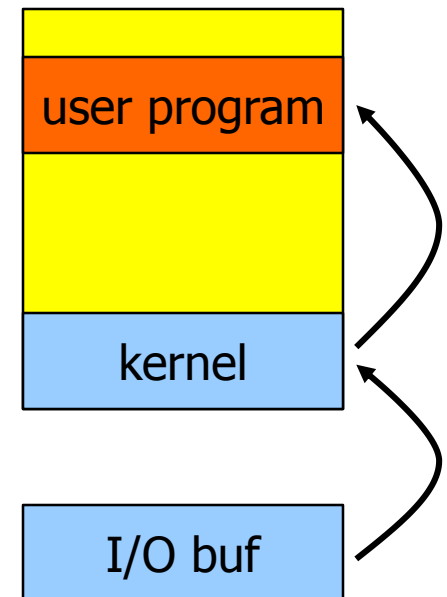
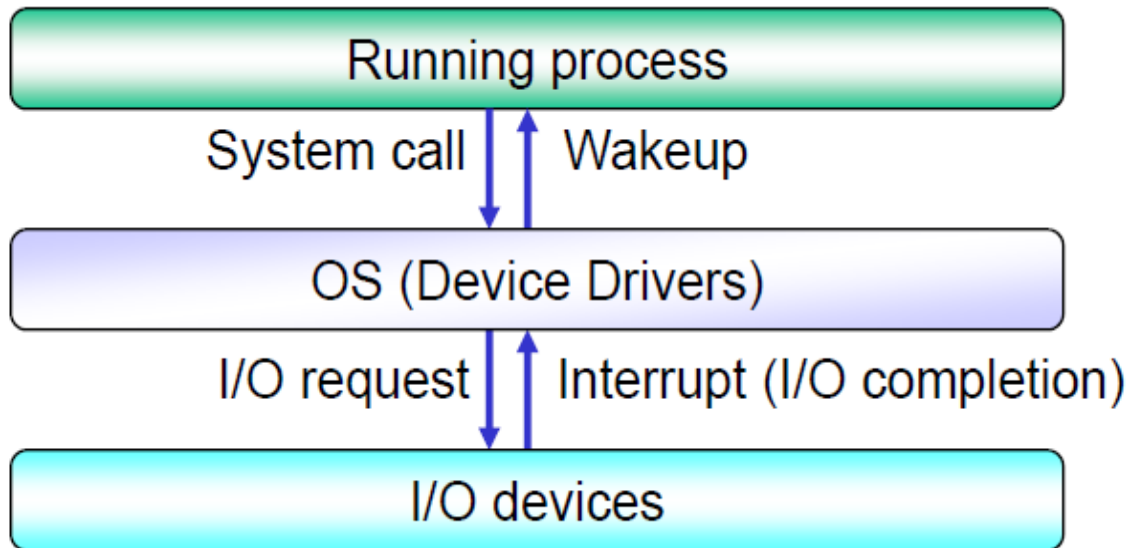
```
#include <stdio.h>
#include <unistd.h>
#include <assert.h>
#include <fcntl.h>
#include <sys/types.h>

int
main(int argc, char *argv[])
{
    int fd = open("/tmp/file", O_WRONLY | O_CREAT |
                 O_TRUNC, S_IRWXU);
    assert(fd > -1);
    int rc = write(fd, "hello world\n", 13);
    assert(rc == 13);
    close(fd);
    return 0;
}
```

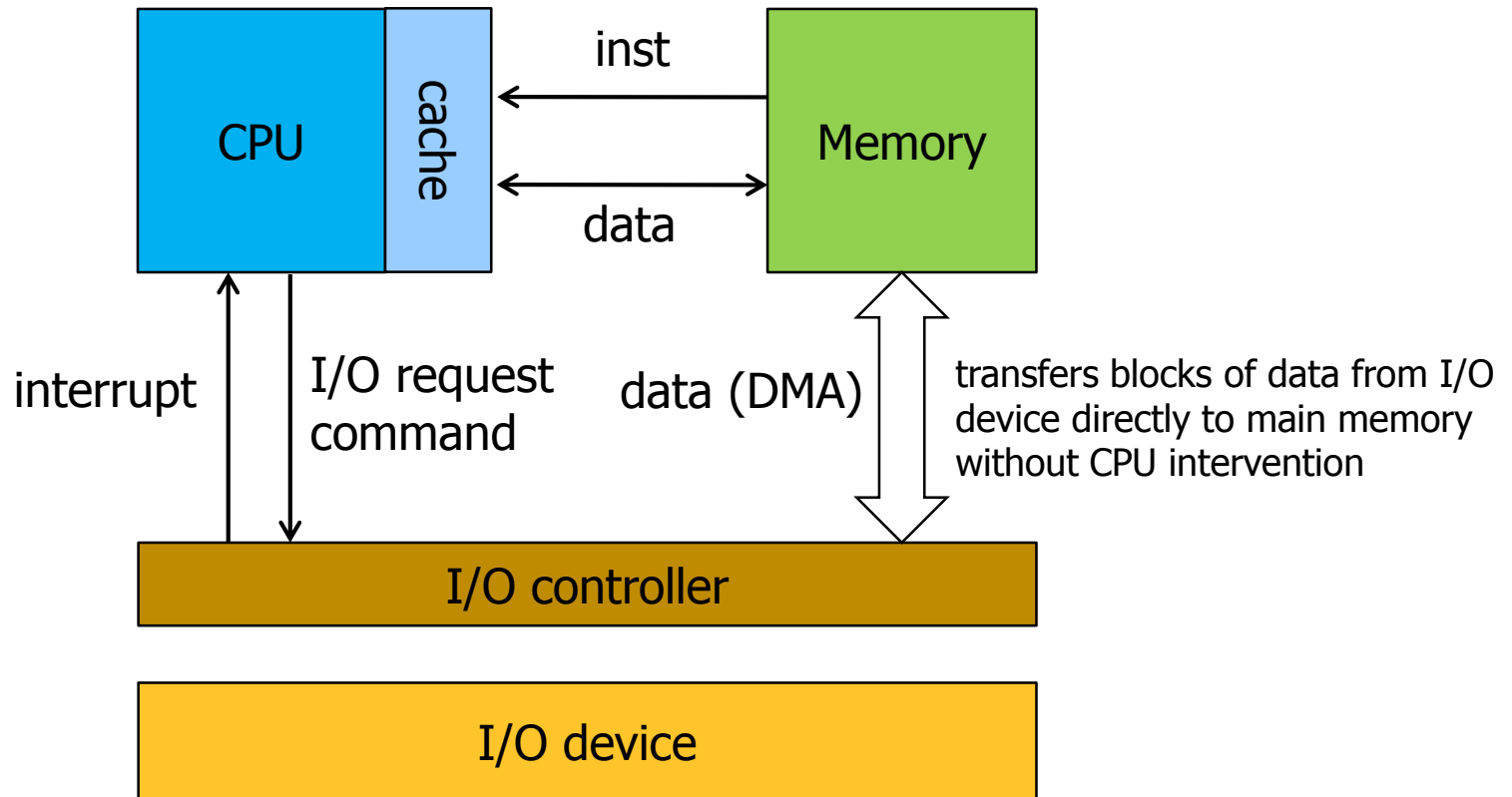
- OS does not create a private, virtualized disk for each application.
- Rather, users will want to share information that is in files.
- System calls: open, read, write, close
- Device driver issues I/O requests to the underlying storage device

Persistence

- I/O management



I/O Mechanism



OS includes interrupt handlers

Design Goals

- build up some **abstractions** in order to make the system convenient and easy to use
- provide high **performance**
- minimize the **overheads** of the OS
 - Extra time and space
- provide **protection** between applications, as well as between the OS and applications
 - isolating processes from one another is the key to protection
- **Reliability**
 - The operating system must also run non-stop
 - when it fails, all applications running on the system fail as well
- **energy-efficiency, security, mobility**
- Depending on how the system is used, the OS will have different goals and thus likely be implemented in at least slightly different ways.

History

- **Early Operating Systems: Just Libraries**
- **Beyond Libraries: Protection**
 - The idea of a **system call** was invented
 - System call transfers control (i.e., jumps) into the OS while simultaneously raising the **hardware privilege level**.
 - User applications run in what is referred to as **user mode** which means the hardware restricts what applications can do
 - **Trap** raises the privilege level to **kernel mode**, the OS has full access to the hardware of the system
- **The Era of Multiprogramming, Minicomputer**
 - OS loads a number of jobs into memory and switch rapidly between them, thus improving CPU utilization
 - Protection mechanisms are necessary to control access to system resources (including files)
 - **concurrency** issues
 - The introduction of the **UNIX** operating system
 - Ken Thompson (and Dennis Ritchie) at Bell Labs

History

- **The Modern Era**

- personal computer: Apple II, IBM PC
 - Unfortunately, for operating systems, the PC at first represented a great leap backwards
 - forgot (or never knew of) the lessons learned in the era of minicomputers
 - DOS: no memory protection
 - Mac OS (v9 and earlier): cooperative job scheduling
- Now
 - Mac OS X
 - Steve Jobs took his UNIX-based NeXTStep operating environment with him to Apple
 - Windows NT
 - Linux
 - **Linus Torvalds** wrote his own version of UNIX which borrowed heavily on the principles and ideas behind the original system, but not from the code base, thus avoiding issues of legality

Homework

- **Submit a report on** "The Evolution of the Unix Time-sharing System"